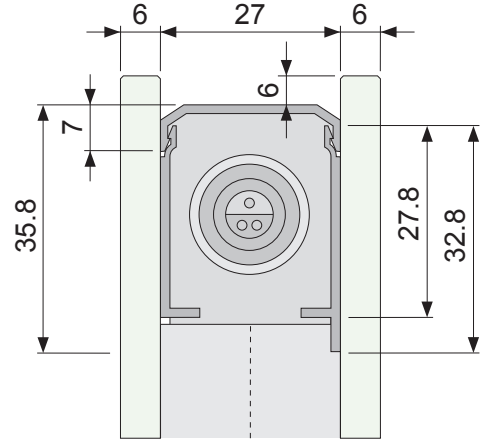
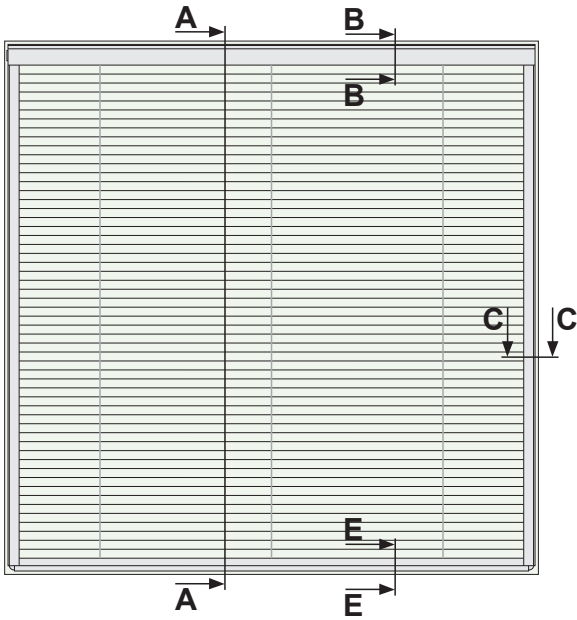
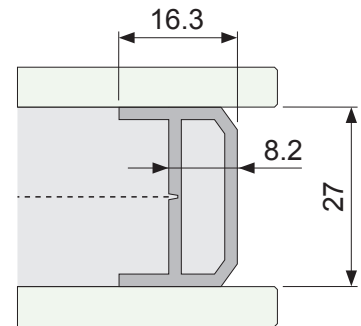
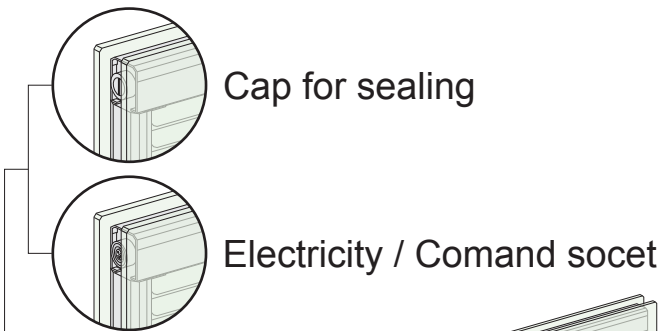


● **Motorized unit / 27 mm**

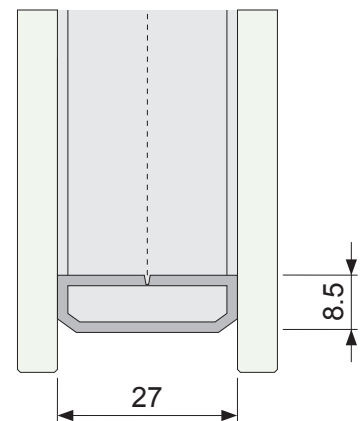
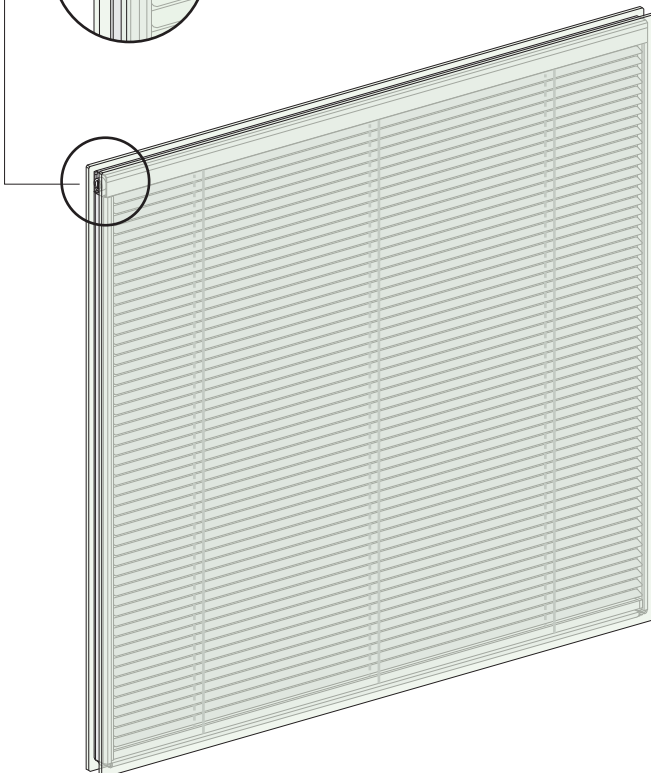


Section B-B

Section A-A

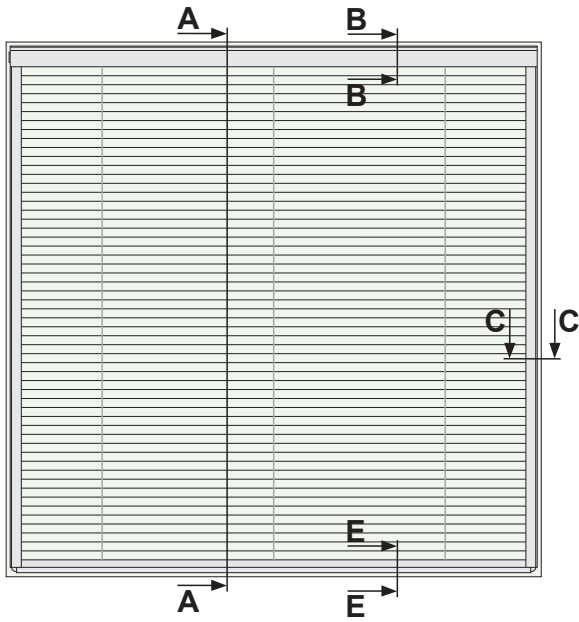


Section C-C

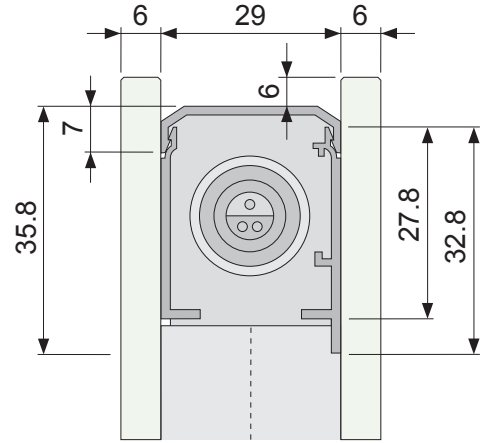


Section E-E

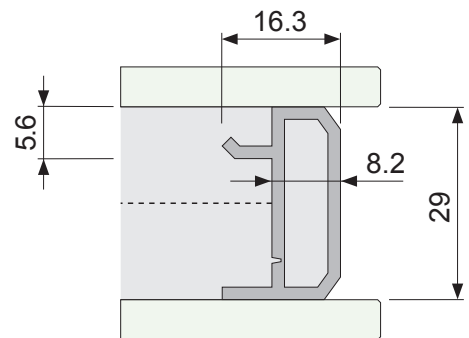
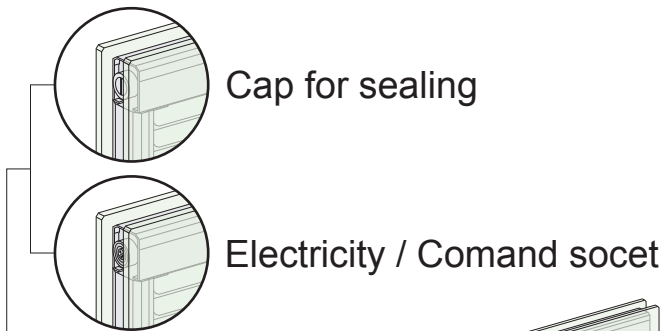
● **Motorized unit / 29 mm**



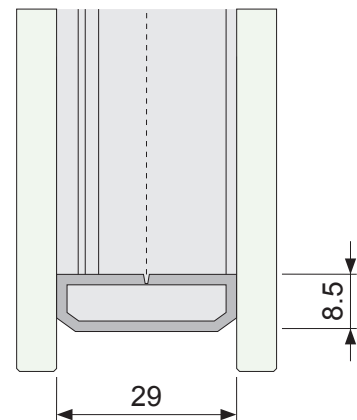
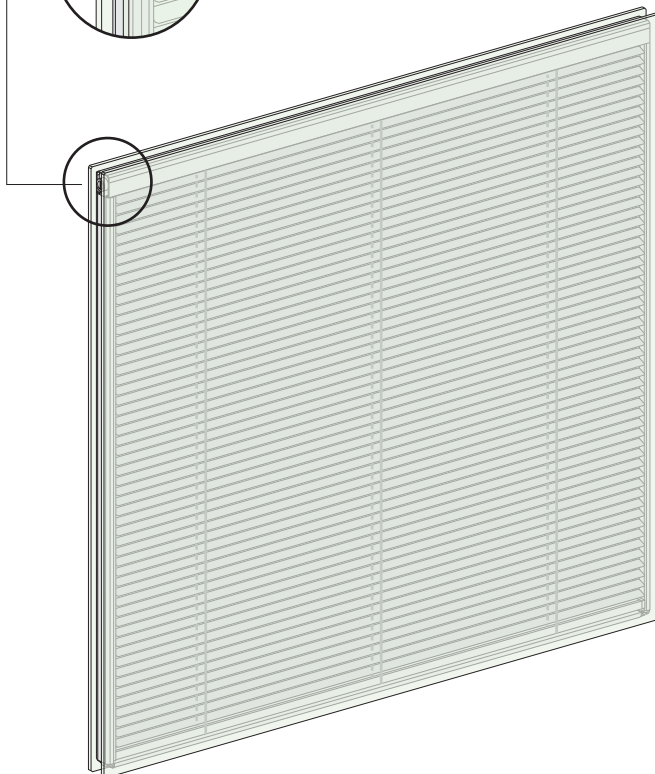
Section A-A



Section B-B

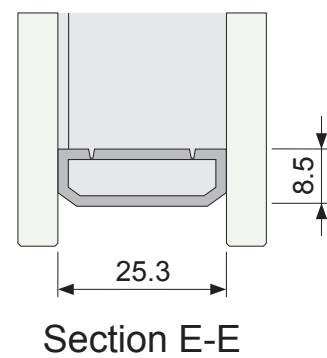
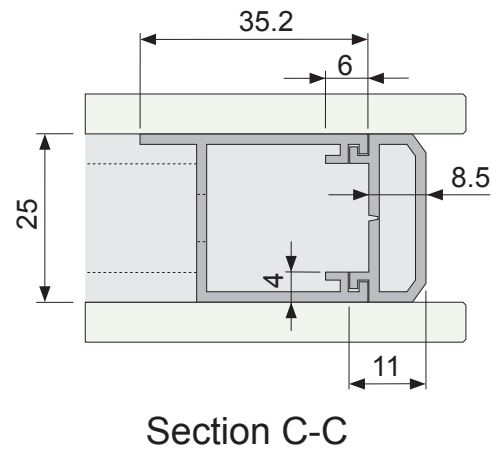
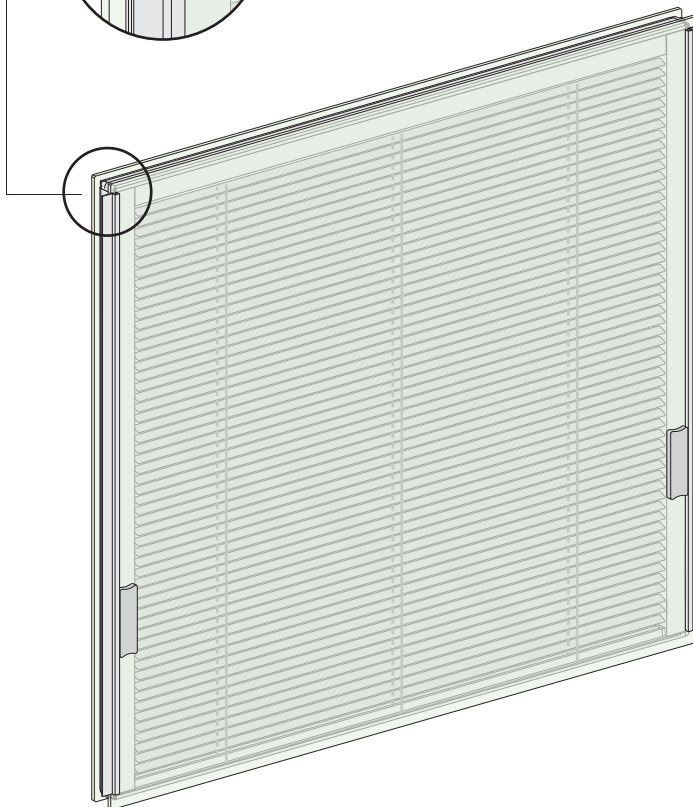
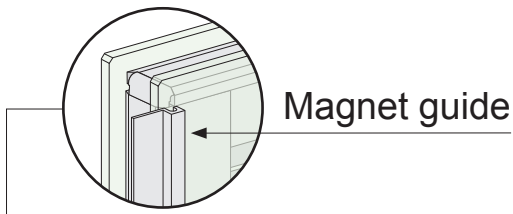
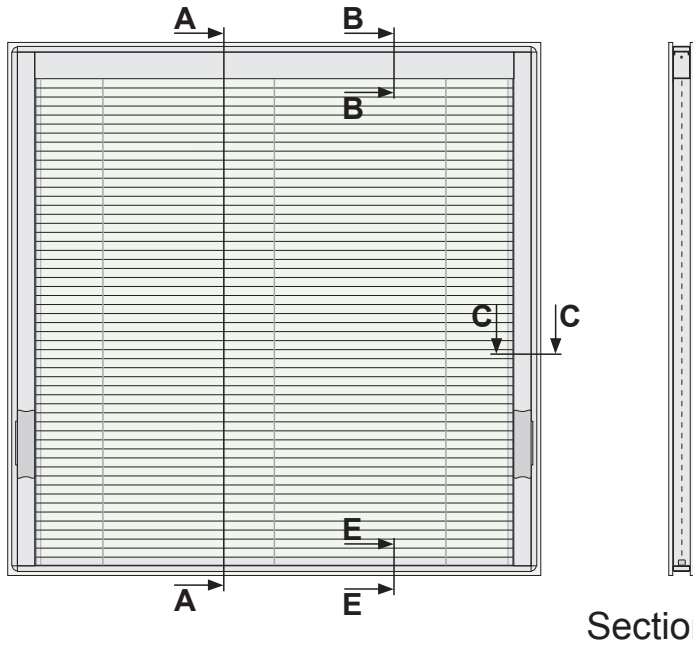


Section C-C

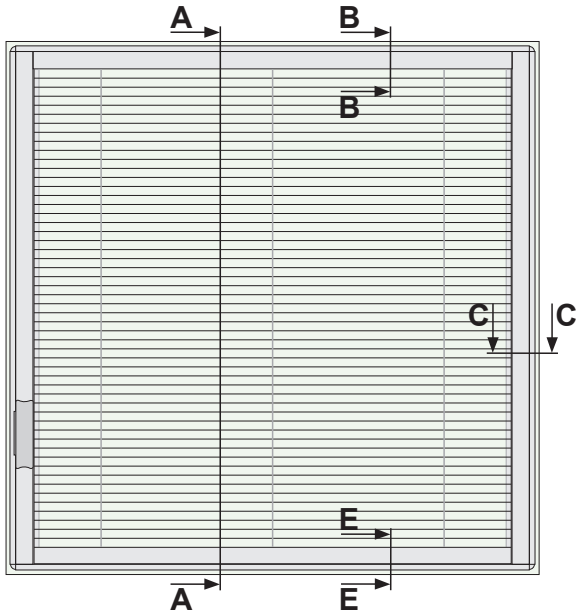


Section E-E

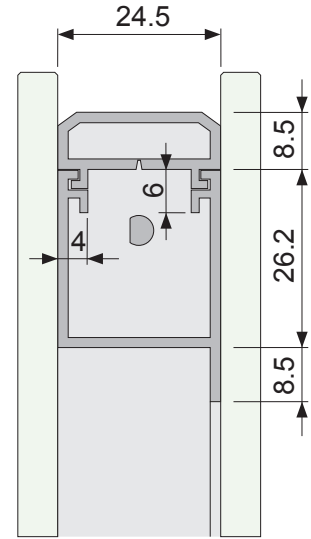
• **Tilt & lift magnet operated**



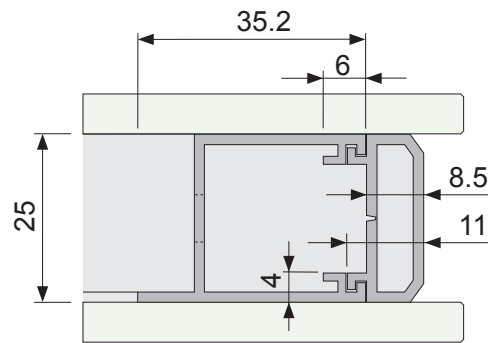
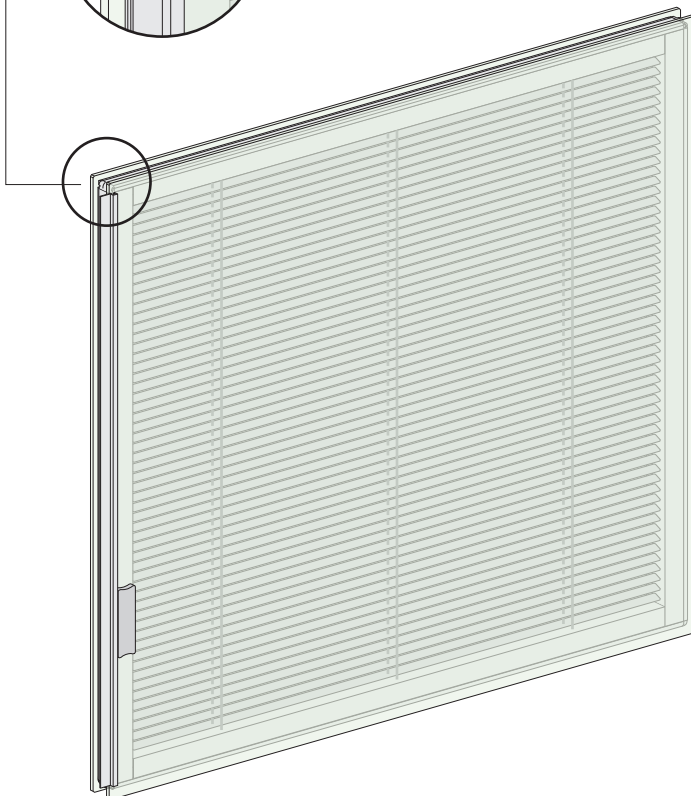
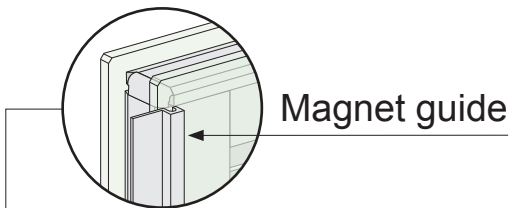
• Tilt only - right or left magnet



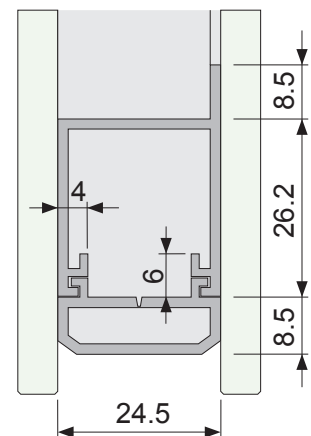
Section A-A



Section B-B

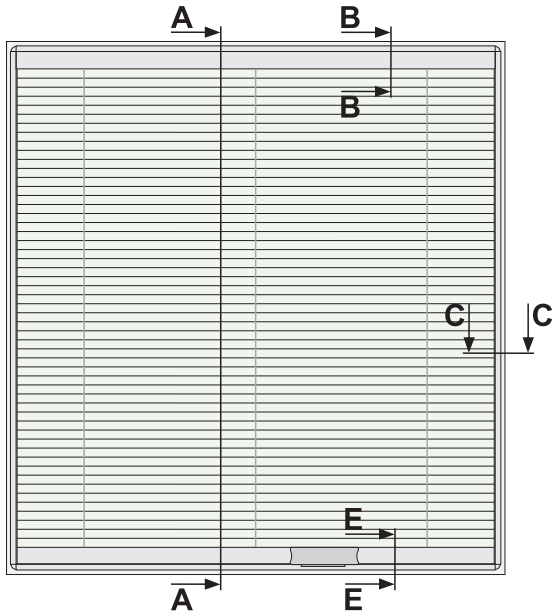


Section C-C

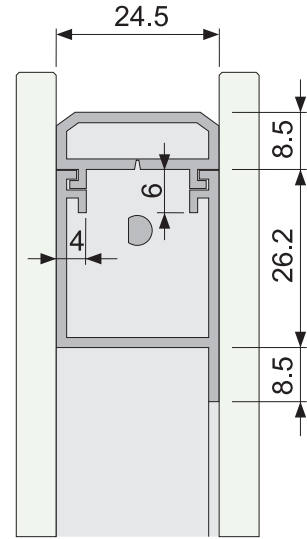


Section E-E

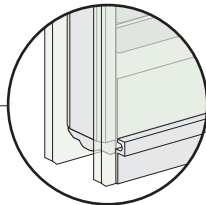
• **Tilt only - Bottom magnet**



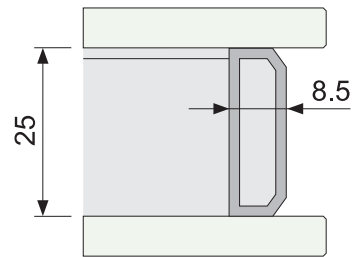
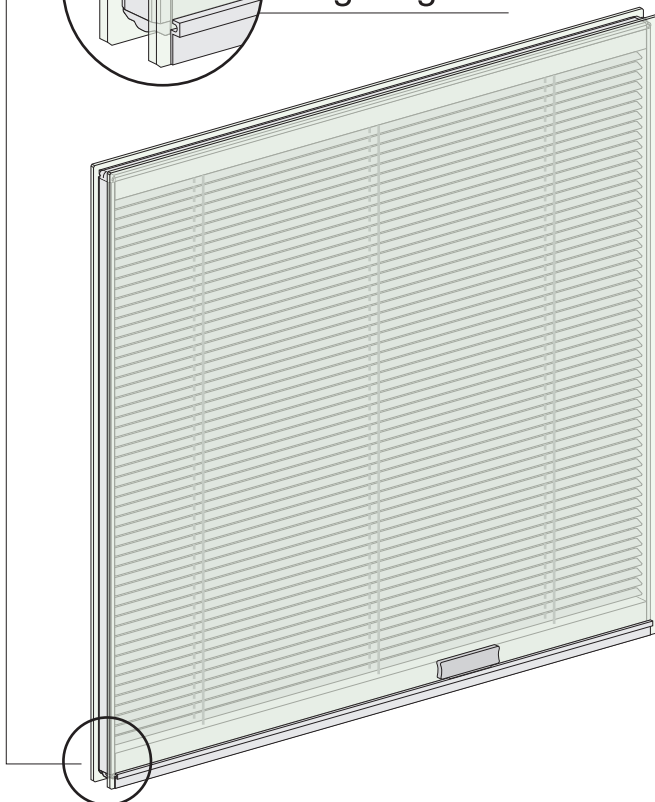
Section A-A



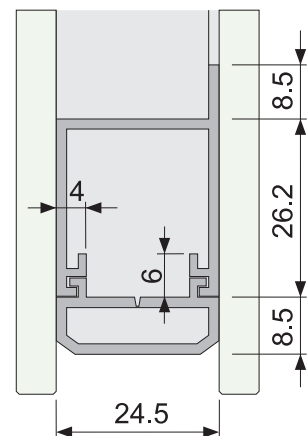
Section B-B



Magnet guide



Section C-C



Section E-E